

## Roundsling Hook RH

The RH-hook is the perfect load connection solution, combining the advantages of both soft lifting slings and grade 100 components. It can be inserted into a softsling and is quicker and safer to use than the commonly used shackle. The RH-hook is a connector as well as a hook, which gives the user increased flexibility, safer use and increased durability of the soft slings.

The RH-hook comes with a blocking pin, but thanks to the narrow opening it may be used without blocking pin.



2

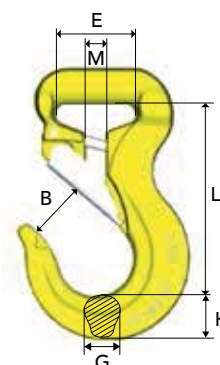
Tested according to EN 1677-2



Art. no.	Code	WLL tonnes*	B	E	G	L	H	M	Weight kgs
B14490	RH-1-10	1	24	35	16.6	84	19	8	0.5
B14491	RH-2-10	2	28	40	17	96	22	10	0.7
B14492	RH-3-10	3	33	47	24	117	30	12	1.3
B14493	RH-5-10	5	43	73	27	155	36	16.5	3.2



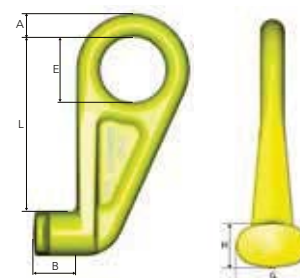
The roundsling hooks are colour coded in order to match the corresponding size of the roundsling: Red=5T / Yellow=3T / Green=2T / Violet=1T



## Container Hook CH

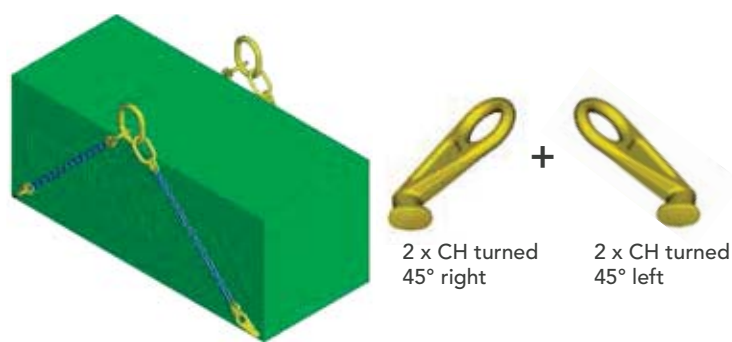
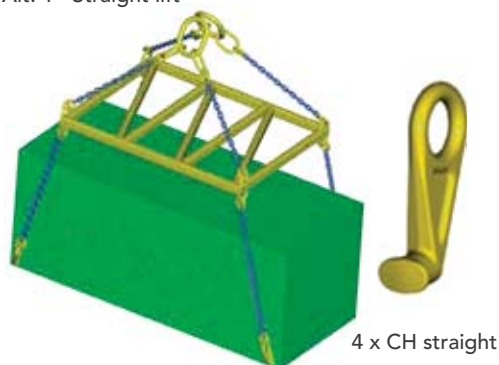
Made for lifting containers in their lower fittings.

Art. no.	Code	WLL tonnes*	A	L	E	B	H	G	Weight kgs
Z101220	CH-3	12.5	25	187	70	46	47	75	3.8
Z101221	CH-3, 45° left	12.5	25	187	70	46	47	75	3.8
Z101219	CH-3, 45° right	12.5	25	187	70	46	47	75	3.8



Alt. 1 - Straight lift

Alt. 2 - Angular lift



## Chain Tensioner GT - for lifting

Art. no	Model	WLL tonnes*	STF (daN)	L = Min. length (mm)	L = Max. length (mm)	Weight (kgs)
Z101367	GT-8-10	2.6	2800	400	600	3.3
Z101368	GT-10-10	4.0	2800	400	600	3.3

