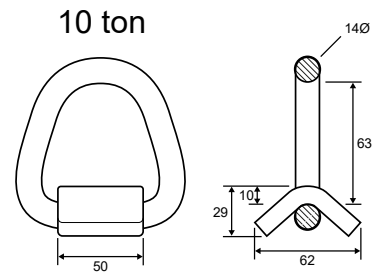
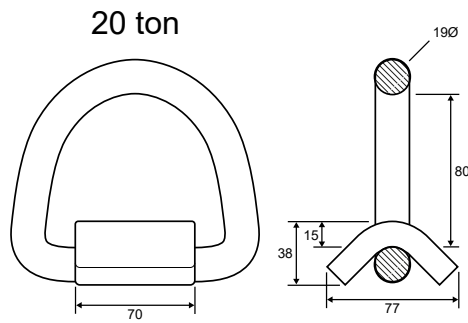
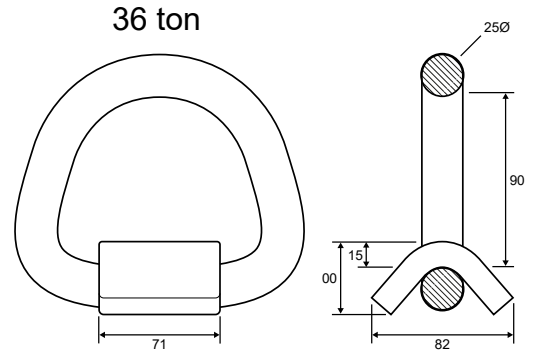
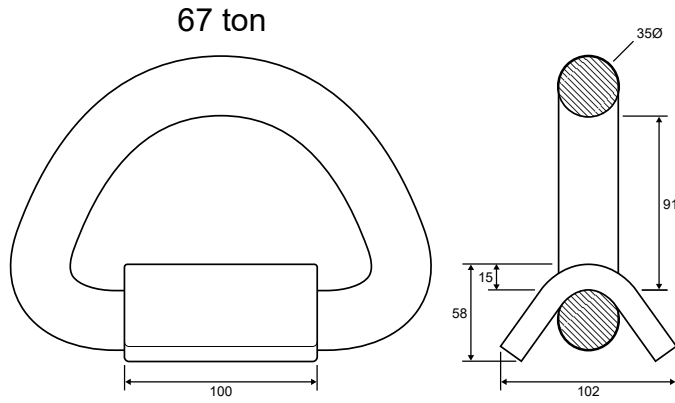


DECK FITTING

D-RINGS



67 ton D-Ring & Attachment Plate

BL: 67 000 kg

MSL: 33 500 kg

Material: Hardened steel

Weight: 5,3 kg

36 ton D-Ring & Attachment Plate

BL: 36 000 kg

MSL: 18 000 kg

Material: Hardened steel

Weight: 2,3 kg

20 ton D-Ring & Attachment Plate

BL: 20 000 kg

MSL: 10 000 kg

Material: Hardened steel

Weight: 1,45 kg

10 ton D-Ring & Attachment Plate

BL: 10 000 kg

MSL: 5 000 kg

Material: Hardened steel

Weight: 0,6 kg